

ACT-0818 Rental Tower

Rental Solutions



TEMPORARY COOLING TOWERS

Industry Leader

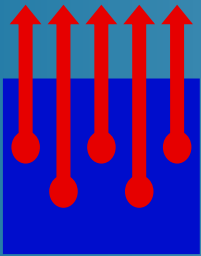
- NO SHIPPING PERMITS REQUIRED
- STAINLESS STEEL BASIN
- PREMIUM EFFICIENCY MOTORS
- HIGH PERFORMANCE FILL MEDIA
- LOWEST INSTALLATION COST IN THE INDUSTRY
- NATIONWIDE SALES OFFICES & DEPOTS

Additional Benefits

- LOWER OPERATING COST
- QUICK DELIVERY & INSTALLATION
- SUPERIOR COOLING PERFORMANCE
- LOWER SETUP & INSTALLATION COST
- NATIONWIDE SUPPORT

Nationwide Sales Offices

Arizona • California • Missouri
Nevada • North Carolina • Texas



**AMERICAN
COOLING
TOWER, INC**



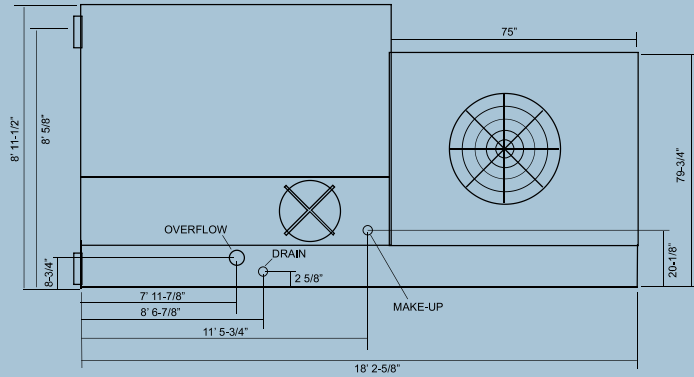
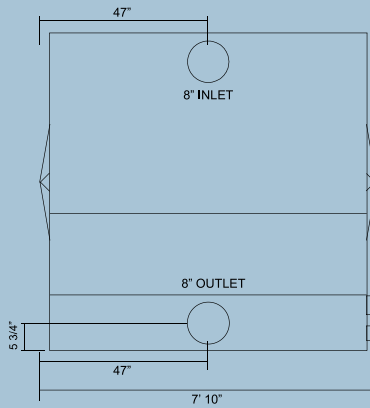
Call Toll Free

800-371-5959

On the Web

www.AmericanCoolingTower.com

ACT-0818 Rental Tower Dimension



Description

The ACT-0818 series temporary cooling tower is a counter flow, forced draft, low profile, open loop rental unit. The ACT-0818's unique low profile design and stainless steel basin makes it an ideal rental tower for hotels, hospitals, office buildings, and even small industrial facilities where physical size may be a concern. The ACT-0818's low profile design also allows it to be shipped nationwide without requiring shipping permits. Installation and setup are minimized on the ACT-0818 because there is no extensive setup or assembly needed. Single point electrical connections and easy to connect flanges allow the ACT-0818 to be online within 8 hours for typical projects.

The ACT-0818 uses high performance fill media and premium efficiency fan motors to deliver effective cooling regardless of site conditions. The ACT-0818 utilizes a primary 50 horsepower motor that is temperature controlled through an easy to use control panel. The unit also has a secondary 25 horsepower motor that can be used when seasonal conditions allow the ACT-0818 to achieve design conditions without the use of the primary motor, helping to eliminate costly operating expenses. No other rental fleet in the industry offers customers the ability to receive superior performance while minimizing their bottom line.

Units can be installed in parallel for projects that require larger capacities. American Cooling Tower offers a full line of accessories including pumps, hoses, electrical cables, and more. Please contact American Cooling Tower for more information.

Technical Specifications

Electrical Data

Power Requirements	460/3/60
Motor (type)	Premium efficiency
Primary Motor H.P.	1 @ 50 HP
Secondary Motor H.P.	1 @ 25 HP
Primary Motor Full Load	63 Amps
Secondary Motor Full Load	31 Amps

**Motors do not run Simultaneously*

Physical Data

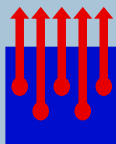
Trailer Dimensions	30' L x 8' 6" W
Length	18' 2-5/8"
Width	7' - 10"
Height	8' - 11-1/2"
Dry Weight	5,840LBS
Operating Weight	11,670LBS

Piping Configuration

Inlet (Flanged)	1 x 8"
Outlet (Flanged)	1 x 10"
Makeup (NPT)	1 x 2"
Overflow (NPT)	1 x 3"
Drain (NPT)	1 x 2"

Materials of Construction

Basin	Stainless Steel
Sidewalls	Galvanized Steel
Structural	Galvanized Steel
Fans	Galvanized Steel
Distribution	PVC
Fill media	PVC
Drift eliminators	PVC



**AMERICAN
COOLING
TOWER, INC**

Corporate Office:

6411 Maple Ave, Westminster, CA 92683

Toll Free 1-800-371-5959

www.AmericanCoolingTower.com

Contact Your Local Sales Representative for additional information.